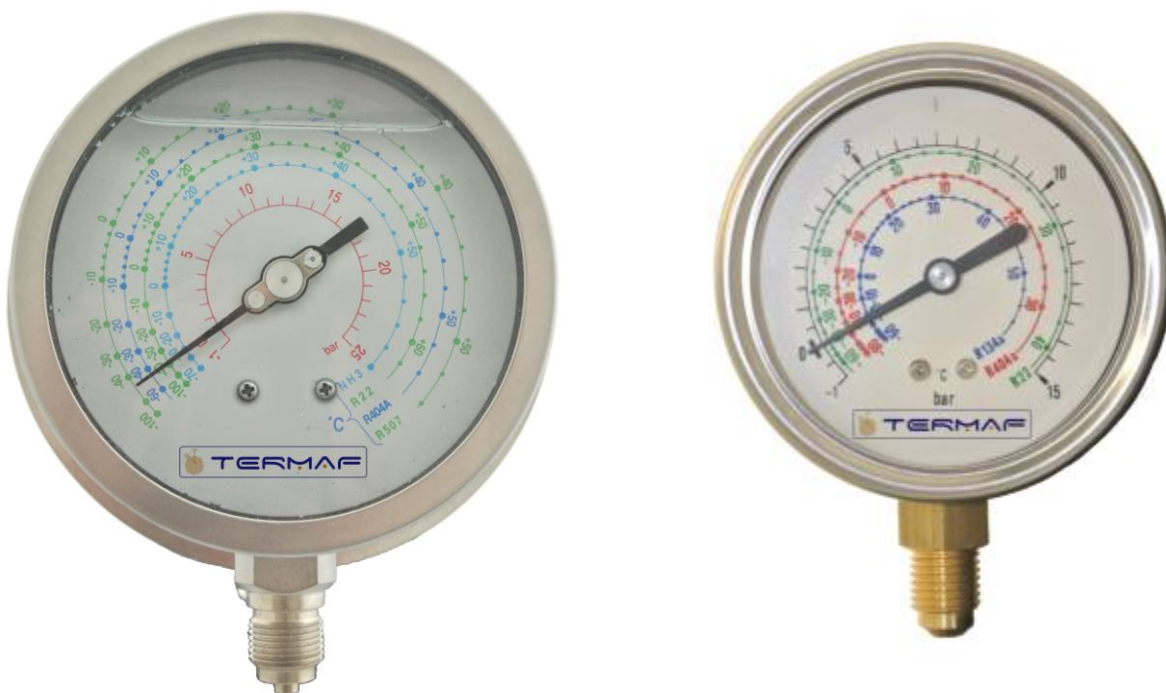


# 制冷行业波登管压力表 DN 100 - 63

## DESCRIZIONE GENERALE

Excellent load-cycle stability for long period. It's suitable for the refrigeration and air conditioning field.

It's studied for withstanding the heaviest workloads, even under demanding environmental conditions.



## STANDARD SCALE RANGES

-1+9	-1+9	-1+15	-1+15	-1+15	-1+24	-1+32	-1+32	-1+32
R 134A	R 134A	R 134A	R 134A	R 404A	R 134A	R 134A	R 134A	R 404A
R404A	R 507	R404A	R 507	R 407	R404A	R404A	R 507	R 407
R 22	R 22	R 22	R 22	R 22	R 22	R 22	R 22	R 22

### DN 100 only

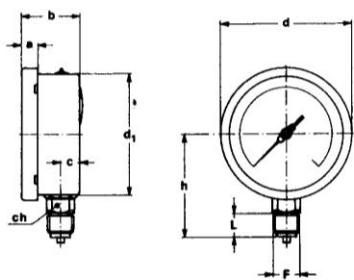
-1+9	-1+15	-1+32
NH 3	NH 3	NH 3
R404A	R404A	R404A
R 507	R 507	R 507
R 22	R 22	R 22



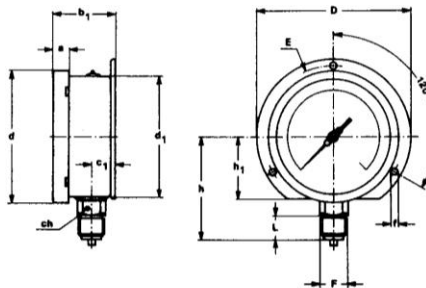
安德鲁信重工江苏有限公司

地址: 江苏省江阴市澄江东路3号 电话: 0510-86199978 86199979 传真: 0510-86199980  
 网址: www.andrewen.com www.andrewen.net 邮箱: info@andrewen

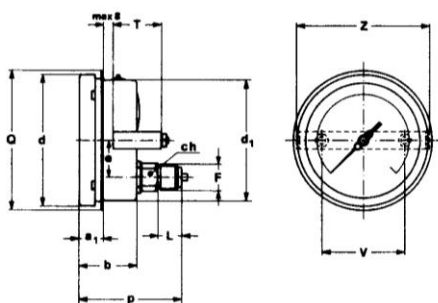
# DIMENSIONS DN 100 in mm



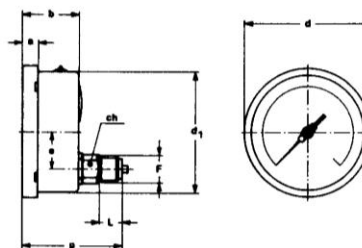
TYPE A



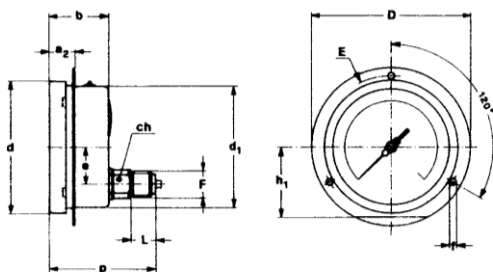
TYPE C



TYPE B



TYPE D



TYPE E

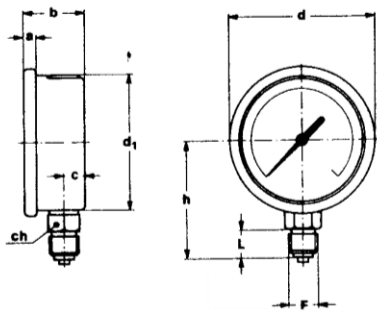
DN	TYPE	L	A	a1	b	b1	d	d1	D	E	h	P	ch
100	AC	20	13	-	48,5	52,6	110,6	101	130	118	-		22
100	DBE	20	13	20	48,5	-	109,8	101	130	118	86	87	22



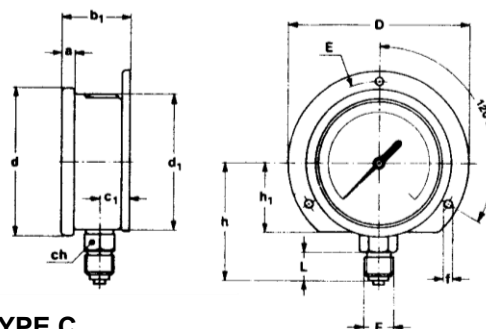
安德鲁信重工江苏有限公司

地址: 江苏省江阴市澄江东路3号 电话: 0510-86199978 86199979 传真: 0510-86199980  
 网址: www.andrewen.com www.andrewen.net 邮箱: info@andrewen

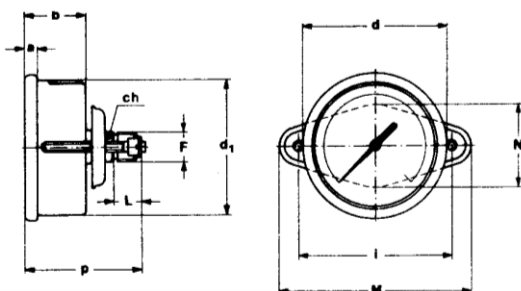
# DIMENSIONS DN 63 in mm



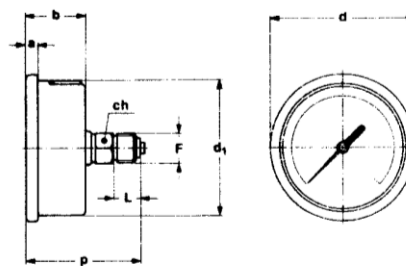
TYPE A



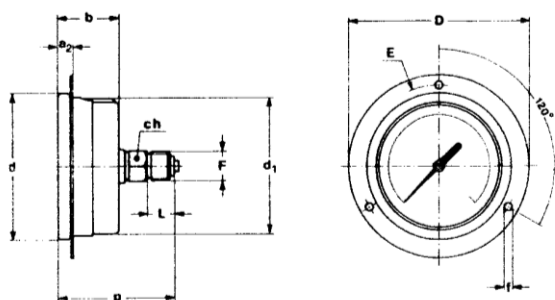
TYPE C



TYPE B



TYPE D



TYPE E

DN	TYPE	L	a	a2	b	b1	d	d1	D	E	h	p	ch
63	AC	13	5,5	-	28	33	68	62,5	-	-	54		14
63	BDE	13	5,5	8	28	-	68	62,5	85	75	-	55	14



安德鲁信重工江苏有限公司

地址: 江苏省江阴市澄江东路3号 电话: 0510-86199978 86199979 传真: 0510-86199980  
 网址: www.andrewen.com www.andrewen.net 邮箱: info@andrewen

# SPECIFICATION DN 100

适用标准: EN 837-1

公称尺寸(mm): 100

范围: from -1 bar up to 60 bar

精度: : Cl. 1

环境温度: -40+65°C

工作压力: static 100% FVS

超压 30 % FVS (max. 10 min.)

保护等级: IP 55 dry- IP 67 filled according to IEC 529

表壳: AISI 304 st.st.

密封圈: at bayonet 304 st.st.

刻度盘: white aluminium, black markings

指针: black aluminium, micrometric resetting

表玻璃: tempered glass, 4 mm thickness

垫圈: EPDM

弹簧管: AISI st.st.

动作: stainless steel

支架: 1/2 ,3/8 BSP - 1/4 SAE AISI 316L st.st.

温度漂移:  $\pm 0,4\%$  /10°C of FVS (taking 20°C as the datum temperature)

可选项

**Max drag and resettable pointer:** single or double in aluminium

**Liquid filling:** Glycerine 98 % - Silicone oil

## STANDARD SCALE RANGES

-1+9	-1+9	-1+9	-1+15	-1+15	-1+15	-1+15	-1+24	-1+32	-1+32	-1+32	-1+32
R 134A	R 134A	NH 3	R 134A	R 134A	R 404A	NH 3	R 134A	R 134A	R 134A	R 404A	NH 3
R404A	R 507	R404A	R404A	R 507	R 407	R404A	R404A	R404A	R 507	R 407	R404A
R 22	R 22	R 507	R 22	R 22	R 22	R 507	R 22	R 22	R 22	R 22	R 507
		R 22				R 22					R 22



安德鲁信重工江苏有限公司

地址: 江苏省江阴市澄江东路3号 电话: 0510-86199978 86199979 传真: 0510-86199980  
网址: www.andrewen.com www.andrewen.net 邮箱: info@andrewen

## SPECIFICATION DN 63

适用标准: EN 837-1

**Size dimensions in mm:**, 63

范围: from -1 bar up to 60 bar

精度: Cl. 1,6

环境温度: -20+60°C

流体温度: max 60°C

工作压力: static 75% of FVS

超压: 15% max. for short period

保护等级: IP 55 according to IEC 529 - IP 65 with filling liquid

表壳: : stainless steel

密封圈: : grafted, stainless steel

刻度盘: white plastic, black markings

指针: : black plastic

表玻璃: polycarbonate

垫圈: EPDM

传感器元件: 弹簧管, copper alloy

动作: brass

支架: **brass** 1/4 SAE

温度漂移:  $\pm 0,4\%$  /10°C of FVS (taking 20°C as the datum temperature) 可选项

**Liquid filling:** Glycerine 98 % - Silicone oil

## STANDARD SCALE RANGES

-1+9	-1+9	-1+15	-1+15	-1+15	-1+24	-1+32	-1+32	-1+32
R 134A	R 134A	R 134A	R 134A	R 404A	R 134A	R 134A	R 134A	R 404A
R404A	R 507	R404A	R 507	R 407	R404A	R404A	R 507	R 407
R 22	R 22	R 22	R 22	R 22	R 22	R 22	R 22	R 22



安德鲁信重工江苏有限公司

地址: 江苏省江阴市澄江东路3号 电话: 0510-86199978 86199979 传真: 0510-86199980  
网址: [www.andrewen.com](http://www.andrewen.com) [www.andrewen.net](http://www.andrewen.net) 邮箱: [info@andrewen](mailto:info@andrewen)