

带微触点开关的压力表，DN100-150

概述

This instrument safety controls the automatic regulation of hydraulic circuits. It's available in "all stainless steel" version with connection and spring AISI 316 stainless steel and also in economical version with brass connection and copper alloy spring up to 60 bar, from 100 bar in AISI 316.



Loads table

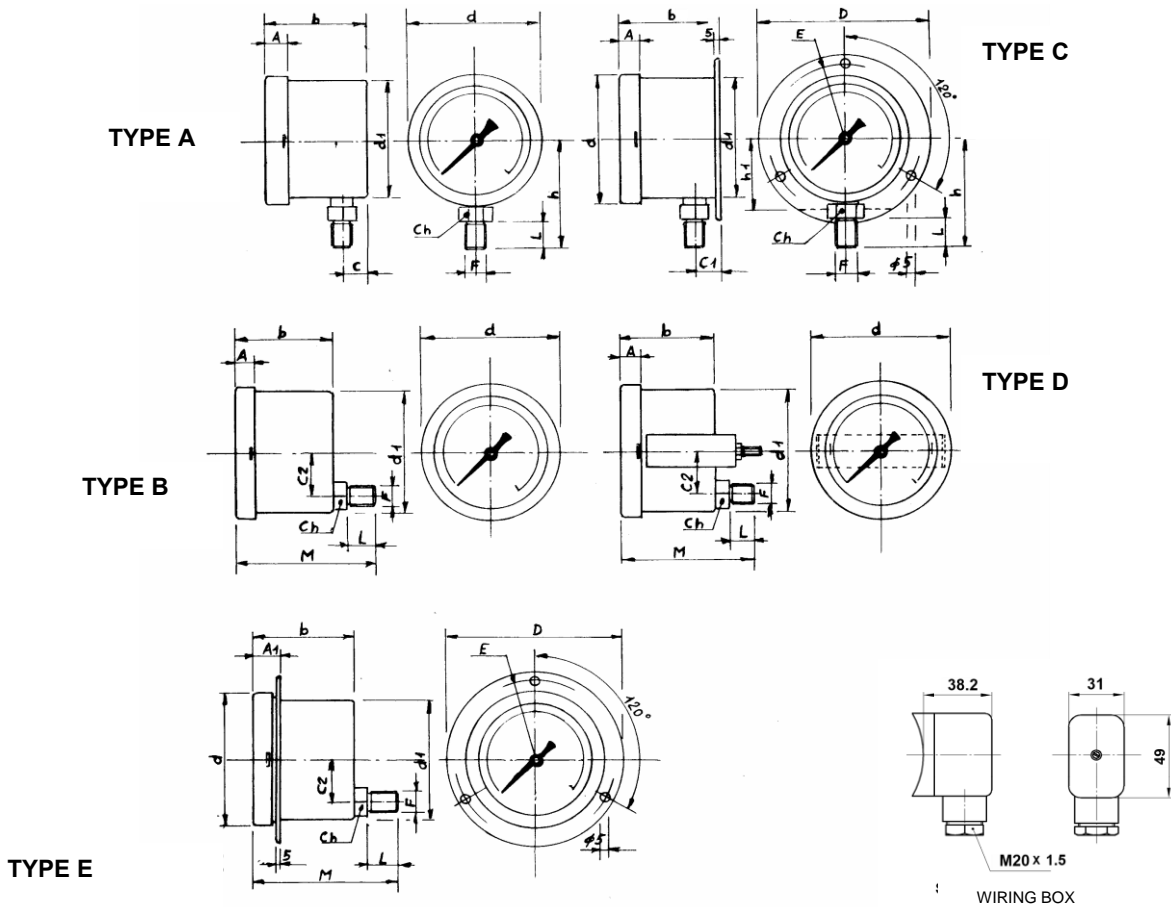
Voltage	Direct current	Alternating current	Inductive load
220	0,3 Amp.	4 Amp.	4 Amp.
110	0,4 Amp.	4 Amp.	4 Amp.
24	4 Amp.	4 Amp.	4 Amp.



安德鲁信重工江苏有限公司

地址：江苏省江阴市澄江东路3号 电话：0510-86199978 86199979 传真：0510-86199980
网址：www.andrewen.com www.andrewen.net 邮箱：info@andrewen

单位：毫米



DN	TYPE	F	L	A	A1	b	d	d1	D	E	h	ch
100	AC	1/4 - 3/8 - 1/2	20	14	-	54	113	99	132	116	95	22
100	BDE	1/4 - 3/8 - 1/2	20	14	23	54	113	99	132	116	-	22

DN	TYPE	F	L	A	A1	b	d	d1	D	E	h	ch
150	AC	1/4 - 3/8 - 1/2	20	18	-	54	166	148	195,5	178	120	22
150	BDE	1/4 - 3/8 - 1/2	20	18	24	54	166	148	195,5	178	-	22



安德鲁信重工江苏有限公司

地址：江苏省江阴市澄江东路3号 电话：0510-86199978 86199979 传真：0510-86199980
 网址：www.andrewen.com www.andrewen.net 邮箱：info@andrewen

技术参数

适用标准: EN 837-1

公称尺寸(mm): 100, 150

范围: from 1,6 bar to 600 bar

精度: class 2,5 according to EN 837-1

环境温度: -25+65°C

工艺流体温度: max. 60°C up to 40 bar, over 120°C

工作压力: max 75% of FSV

超压: not suitable

保护等级: IP 44 with external adjustment - IP 55 with internal adjustment

电气参数: 1 SPDT micro switch

表壳和密封圈: AISI 304 stainless steel

刻度盘: white aluminium with black markings

指针: adjustable in black aluminium

设置指针: red aluminium, adjustable by a plastic removable key

表玻璃: plexiglass, 3 mm thickness

垫圈: EPDM

Spring bourdon : AISI st.st. or copper alloy

动作 :brassy

支架: 1/2 ,3/8,1/4 gas,1/2 NPT; AISI 316 st.st. or brass

开关滞后: $\pm 3\%$ of FVS

Contact setting: between 10% and 75% of FVS

电气连接: electric cable with sheath of 1 m. secured by cable gland or wiring box
IP 65

温度漂移: $\pm 0,4\%$ of FSV for each variation of 10°C taking 20°C as the datum
temperature

可选项

Max pointer on the window, resettable from external

Internal 设置指针 adjustable by screwdriver



安德鲁信重工江苏有限公司

地址: 江苏省江阴市澄江东路3号 电话: 0510-86199978 86199979 传真: 0510-86199980
网址: www.andrewen.com www.andrewen.net 邮箱: info@andrewen