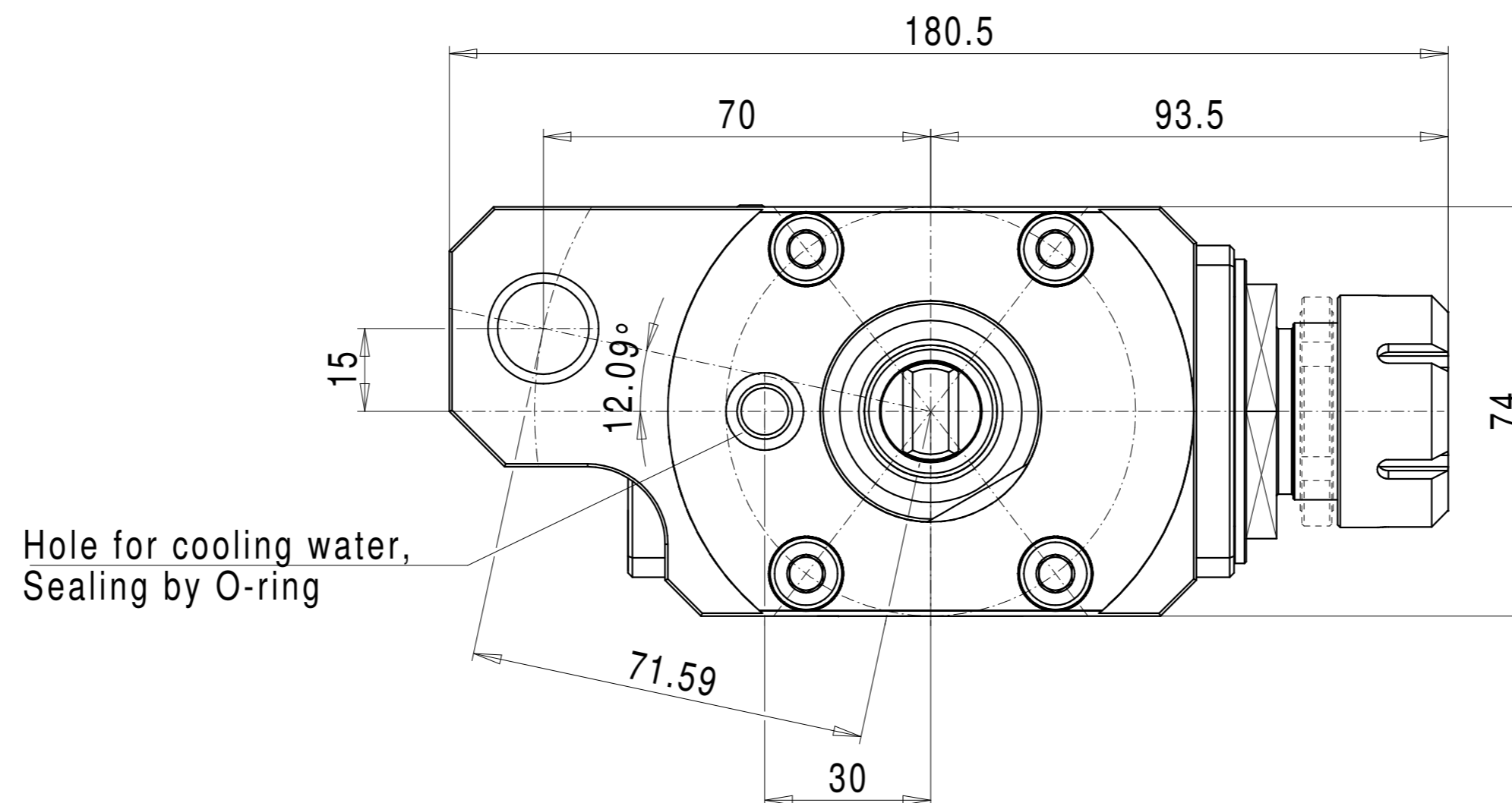
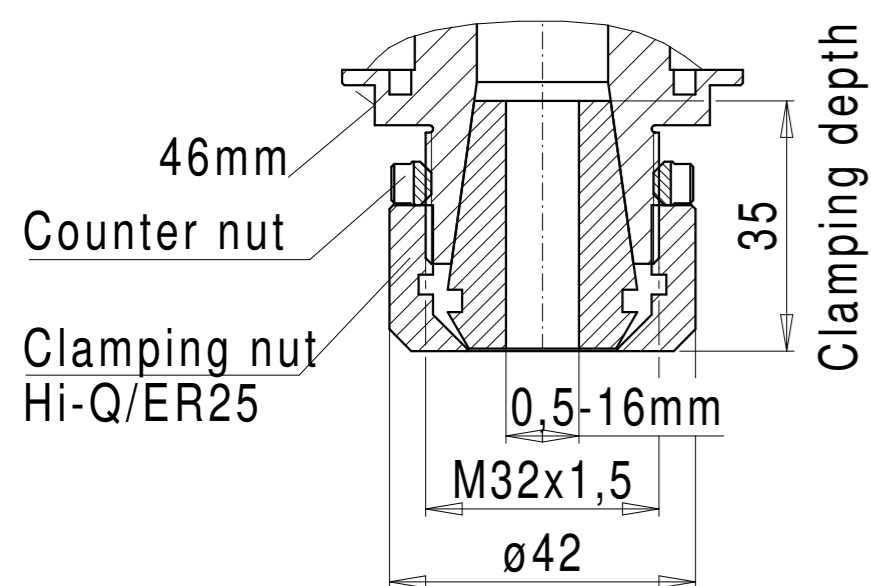


Detail X  
Collet chuck holder Hi-Q/ER25



Technical data:

Drive direction: R. H. / L. H.

Gear ratio:  $i=1:1.5$  - wheel drive

Continuous operation

max. drive speed: 6.000 1/min

max. spindle speed: 9.000 1/min

Drive power: max. 3,0kW

Tool holders: Hi-Q/ER25

Direction of rotation of the tool holder:  
same as the drive direction of rotation

Weight: approx. 6,6kg