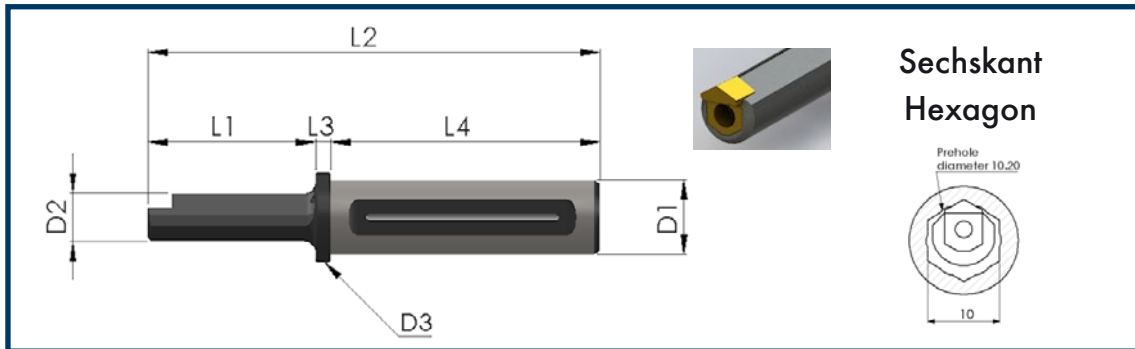




Hexagon Broaching Tools



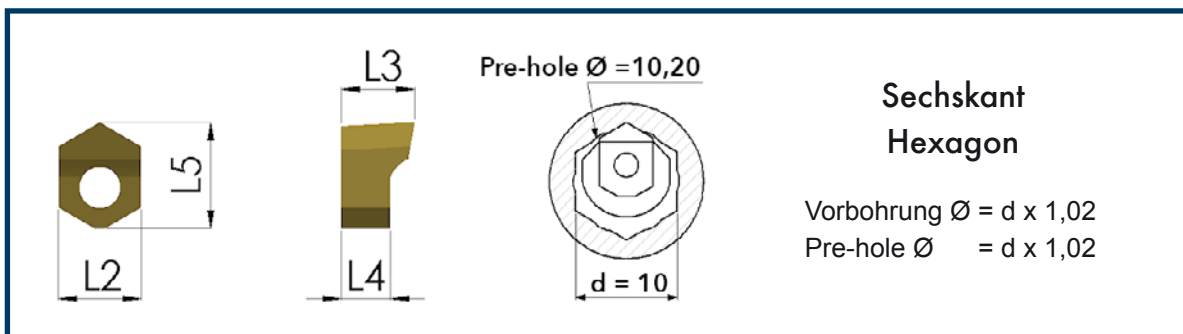
CODE	L1	L2	L3	L4	D1	D2	D3	P	T	V	Min Ø
UT-HEX-9/11-25	30	129	9	90	25	8	30	PN-1	T08	VN-1	9
UT-HEX-11/17-25	40	139	9	90	25	10	30	PN-1	T08	VN-1	11
UT-HEX-17/28-25	56	155	9	90	25	15	30	PN-2	T15	VN-2	17
UT-HEX-28/37-25	86	185	9	90	25	25	30	PN-3	T20	VN-3	28
UT-HEX-37/45-25	126	225	9	90	25	35	45	PN-4	T20	VN-3	37
UT-HEX-9/11-32	30	139	9	100	32	8	38	PN-1	T08	VN-1	9
UT-HEX-11/17-32	40	149	9	100	32	10	38	PN-1	T08	VN-1	11
UT-HEX-17/28-32	56	165	9	100	32	15	38	PN-2	T15	VN-2	17
UT-HEX-28/37-32	86	195	9	100	32	25	38	PN-3	T20	VN-3	28
UT-HEX-37/45-32	126	235	9	100	32	35	45	PN-4	T20	VN-3	37
UT-HEX-45/70-32	140	249	9	100	32	40	45	PN-5	BR5	VN-4	45

Platten - Sechskant
Hexagon Inserts



mm

IN



Sechskant
Hexagon

Vorbohrung $\varnothing = d \times 1,02$
Pre-hole $\varnothing = d \times 1,02$

CODE	Bearbeitungsbereich Operation Range	L2	L3	L4	L5	Tool	RF
IN-HEX-9/11	9/10	6	7	5	7,5	UT-HEX-9/10	RF-1
IN-HEX-11/17	11/16	6	7	5	8	UT-HEX-11/16	RF-1
IN-HEX-17/28	17/27	10	9	6	13,5	UT-HEX-17/27	RF-2
IN-HEX-28/37	28/36	13	14	10	18,5	UT-HEX-28/36	RF-3
IN-HEX-37/45	37/44	18	14	10	22	UT-HEX-37/44	RF-4
IN-HEX-45/70	45/70	26	16	10	30	UT-HEX-45/70	RF-5

